

TWO-WAY VHF RADIO

NTW-1000

- Watertight design
- Either primary battery or secondary battery is available
- External MIC/Speaker can be attached
- Type approval with DNV (MED) and CCS



- Designed to meet GMDSS requirements related with performance standards for survival craft two-way VHF radio telephone apparatus, such as IMO MSC.149 (77), IMO MSC.1/Circ.1460/Rev.4 and IEC 61097-12.
- Compact, lightweight and rugged construction.
- Full marine-use VHF channels can be available.



SPECIFICATIONS

● TECHNICAL SPECIFICATIONS

- Frequency Range: 156.300~162.975 MHz
- Operating Channels: 19 channels (default)
- Operating Hours: ≥ 8 hours (TX10%, RX10%, Standby80%)
- Output Power: High 3.0 W / Low 0.5 W

● BATTERY REQUIREMENTS (NBT200)

- Battery Voltage: DC 7.2 V
- Storage Temp: $-30^{\circ}\text{C}\sim+70^{\circ}\text{C}$
- Storage Life: Max 4 years on board
(plus one year of shelf time)

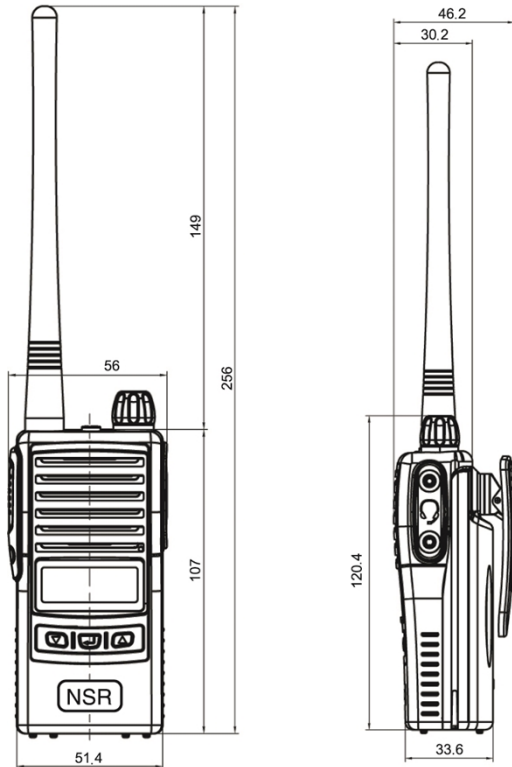
● SIZE & WEIGHT

- Size: 256 (H) \times 56 (W) \times 46.2 (D) mm
- Weight: 400g (Transceiver + Emergency Battery)

● IP GRADE

- IP67 (Transceiver / Antenna / Battery)
- IP22 (Charger / Adaptor)

SIZE DIMENSION



EQUIPMENT LIST

● STANDARD

- Transceiver & Antenna 1 set
- Emergency Battery (NBT200) 1 pc
- Belt Clip 1 pc
- Wrist Rope 1 pc
- Rechargeable Battery (NBT200C) 1 pc
- Battery Charger (NBT200CU) 1 pc
- AC/DC Adaptor 1 pc



Battery
Emergency / Rechargeable



Wrist Rope



Belt Clip



Battery Charger



AC/DC Adaptor